

## C5-M Compression Latch

Sealed lever latch - 71mm size

### Features

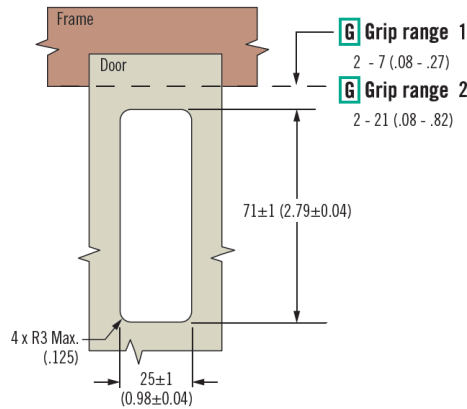
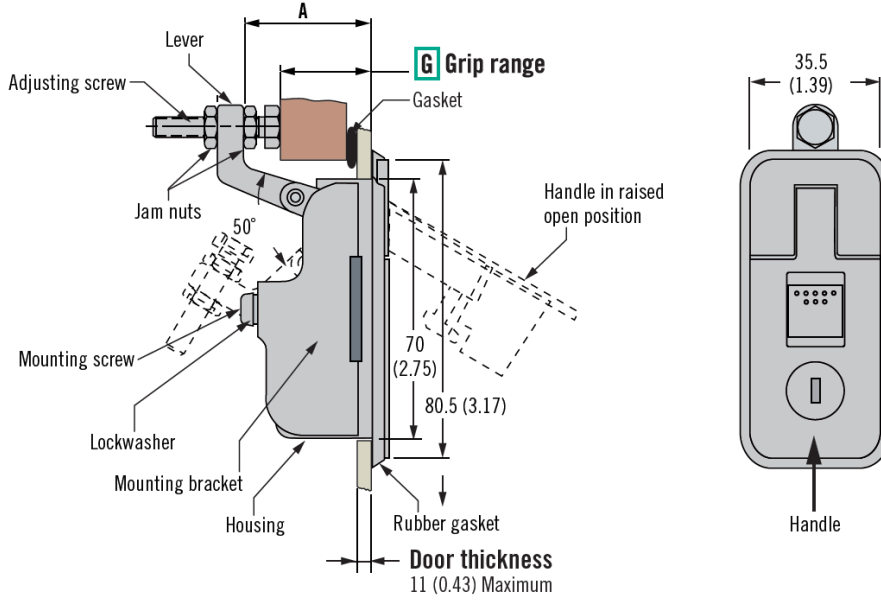
- Low profile when latched
- Easy grip adjustment
- Push button actuation
- Environmental sealing is achieved by sealing the mounting screw threads

### Material

- Zinc alloy, powder coated and steel, zinc plated

### Product Performance

- Maximum static load:
  - Grip 1 - 25: 290 N
  - Grip 15 - 30: 170 N



- L** Lock style
- 1 Non-locking
  - 3 Key-locking with dust shutter, keyed alike CH751 (two flat keys supplied)

	<b>G</b> Grip Range	A
1	1 - 25 (.04 - .98)	36.5 (1.44)
2	15 - 30 (.59 - 1.18)	40.0 (1.57)